

Information Sheet

Series U

Electronic Metering Pumps



Uni-Dose® Models U1 & U0

The **first** electronic metering pumps designed specifically for the water conditioning industry.



Versatile & Flexible

Available with single or dual output control for easy, accurate adjustment over the operating range. Turndown ratio up to 500:1 provides unmatched flexibility. Maximum output from 6 to 30 gallons per day at 80 psi.

Quiet

Advanced noise reduction virtually silences the pump, making it ideal for household applications.

Reliable

Totally enclosed, chemically resistant housings provide superior protection in either indoor or outdoor installations. Digital electronics ensure long life.

Efficient solenoid design provides the power without the troublesome fans, open housings, motors and gears associated with motor-driven pumps.

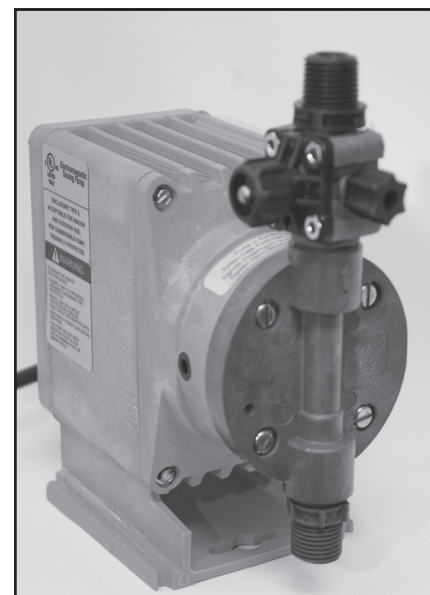
Safe

Inherent pressure relief stops the pump if the system back pressure exceeds the pump's strength. Thermostatic protection prevents damage from overheating.

Standard priming valve provides safe and easy priming without having to disconnect tubing.

Standard Accessories

Each Uni-Dose® pump comes complete with an injection check/back pressure valve, a foot valve with strainer, vinyl suction tubing, UV resistant PE discharge tubing and a ceramic weight. Head and fittings are constructed of high strength PVC.



Standard PVC Head & Fittings

Made in the USA!

Uni-Dose®

Data Sheet

Series U

Electronic Metering Pumps

Configuration Data

Model U04 1 - 281 TT

Control & Output Code

Manual Control

Speed (stroking frequency) fixed and stroke length manually adjustable.

U01 -- 6.0 GPD (0.95 l/h) --- 80 psi (5.5 Bar)

U02 -- 12.0 GPD (1.9 l/h) --- 80 psi (5.5 Bar)

U03 -- 24.0 GPD (3.8 l/h) --- 80 psi (5.5 Bar)

U04 -- 30.0 GPD (4.8 l/h) --- 80 psi (5.5 Bar)

Dual Manual Control

Speed (stroking frequency) and stroke length manually adjustable.

U12 -- 12.0 GPD (1.9 l/h) --- 80 psi (5.5 Bar)

U13 -- 24.0 GPD (3.8 l/h) --- 80 psi (5.5 Bar)

U14 -- 30.0 GPD (4.8 l/h) --- 80 psi (5.5 Bar)

Voltage Code

1 ----- 120 VAC US Plug

2 ----- 240 VAC US Plug (*not suitable for export*)

3 ----- 220-240 VAC DIN Plug

5 ----- 240-250 VAC, UK Plug

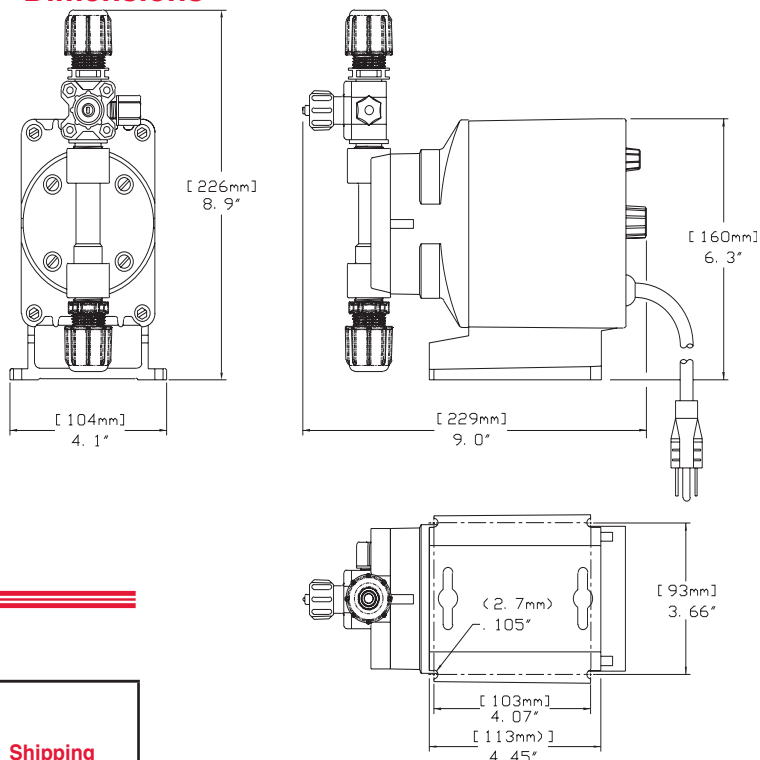
6 ----- 240-250 VAC, Aust./NZ Plug

7 ----- 220 VAC, Swiss Plug

Liquid End

PVC head & fittings, Flexiprene™ Liquifram™ Hypalon and Uni-Valves™

Dimensions



Specifications

Series	Strokes Per Minute		Stroke Length (Adjustable) Recommended Minimum	Maximum Current @ 120 VAC	Shipping Weight
	Min	Max			
U01	fixed - 25		20%	1.4 amps	8 lbs (3.6 kgs)
U02	fixed - 60				
U03	fixed - 100				
U04	fixed - 100				
U12	1	60			
U13	1	100			
U14	1	100			

Output Information

Model	Gallons per Day		Gallons per Hour		Liters per Hour		mL/cc per Min		mL/cc per Stroke		Maximum Injection Pressure
	Min	Max	Min	Max	Min	Max	Min	Max	Min	Max	
U01	1.2	6.0	0.05	0.25	0.19	0.95	3.2	16	0.13	0.63	80 psi (5.5 Bar)
U02	2.4	12.0	0.10	0.5	0.38	1.9	6.3	32	0.11	0.53	80 psi (5.5 Bar)
U03	4.8	24.0	0.20	1.0	0.76	3.8	12.6	63	0.13	0.63	80 psi (5.5 Bar)
U04	6.0	30.0	0.25	1.25	0.95	4.7	15.8	79	0.16	0.79	80 psi (5.5 Bar)
U12	0.04	12.0	0.002	0.5	0.006	1.9	0.11	32	0.11	0.53	80 psi (5.5 Bar)
U13	0.05	24.0	0.002	1.0	0.008	3.8	0.13	63	0.13	0.63	80 psi (5.5 Bar)
U14	0.06	30.0	0.003	1.25	0.010	4.7	0.16	79	0.16	0.79	80 psi (5.5 Bar)



© 2003 Milton Roy USA - All Rights Reserved
Printed in USA
Specifications subject to change without notice.

Liquifram, Flexiprene, Uni-Valve are trademarks of Milton Roy Company
Uni-Dose is a registered trademark of Milton Roy Company