

SSV Series

Solenoid Valves

- ✓ 3/8", 1/2", 3/4" and 1" Available
- ✓ 2 Port reliable design with high flows
- ✓ Mountable in any position
- ✓ DIN connector standard
- ✓ Pilot operated



HYDRONIX SSV SERIES SOLENOID VALVES

are compact, reliable, high flow, two-way pilot operated solenoid valves for air, gas, water and other liquid applications. They offer a solid stainless steel body with a normally closed design and can be mounted in any position. The solenoid enclosure provides protection against dust, dirt and other elements, while also protecting against seepage of oil and noncorrosive coolants. SSV Series valves come assembled with an NBR seal, and have a maximum temperature rating of 176 °F (80 °C).

HYDRONIX SSV SERIES SOLENOID VALVES

are available in 3/8", 1/2", 3/4" and 1" FNPT connections. All SSV series valves come with DIN connectors included as a standard feature, making them convenient and easy to install.

SOLENOID VALVES SPECIFICATIONS		
Part Number	Description	Qty
SSV-38110V	Solenoid Valve, 110V 50/60 HZ, 3/8" FNPT, Normally Closed, Stainless Steel	1
SSV-12110V	Solenoid Valve, 110V 50/60 HZ, 1/2" FNPT, Normally Closed, Stainless Steel	1
SSV-34110V	Solenoid Valve, 110V 50/60 HZ, 3/4" FNPT, Normally Closed, Stainless Steel	1
SSV-10110V	Solenoid Valve, 110V 50/60 HZ, 1" FNPT, Normally Closed, Stainless Steel	1
SSV-38220V	Solenoid Valve, 220V 50/60 HZ, 3/8" FNPT, Normally Closed, Stainless Steel	1
SSV-12220V	Solenoid Valve, 220V 50/60 HZ, 1/2" FNPT, Normally Closed, Stainless Steel	1
SSV-34220V	Solenoid Valve, 220V 50/60 HZ, 3/4" FNPT, Normally Closed, Stainless Steel	1
SSV-10220V	Solenoid Valve, 220V 50/60 HZ, 1" FNPT, Normally Closed, Stainless Steel	1



SSV SERIES

Solenoid Valves
Data Sheet

Standard Features

- DIN Connector included
- 110V 50/60HZ, 220V 50/60HZ
- Mountable in any position
- Normally closed

Product Applications

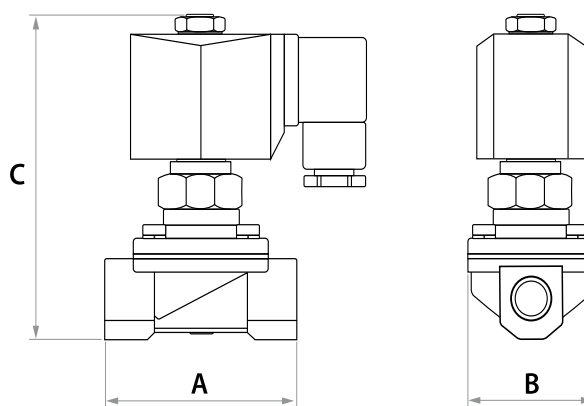
- Water & Wastewater
- Reverse Osmosis Systems
- Medical
- Air & Gas

Specifications

Temperature Rating: 41 °F - 176 °F (5 °C to 80 °C)
Working Pressure: 0 -145 psi (0 - 10 bar)

Materials of Construction

Body: 304 Stainless Steel
Seals: NBR
Spring: Stainless Steel
Gasket: NBR



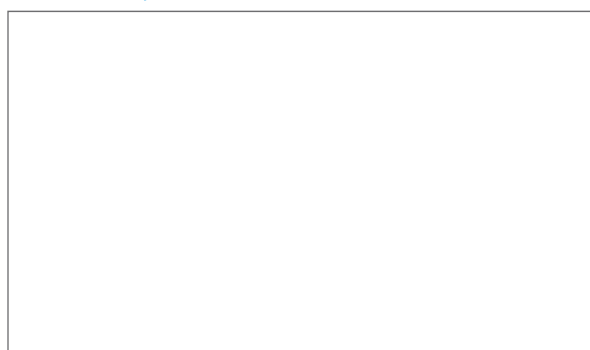
Solenoid Valve Dimensions

Part #	A	B	C	D
	Length (mm)	Width (mm)	Height (mm)	Thread
SSV-38110V	2.55" (65)	1.85" (47)	3.66" (93)	3/8"
SSV-12110V	2.55" (65)	1.85" (47)	3.66" (93)	1/2"
SSV-34110V	2.83" (72)	2.12" (54)	3.93" (100)	3/4"
SSV-10110V	3.54" (90)	2.75" (70)	4.25" (108)	1"

Solenoid Valve Dimensions

Part #	A	B	C	D
	Length (mm)	Width (mm)	Height (mm)	Thread
SSV-38220V	2.55" (65)	1.85" (47)	3.66" (93)	3/8"
SSV-12220V	2.55" (65)	1.85" (47)	3.66" (93)	1/2"
SSV-34220V	2.83" (72)	2.12" (54)	3.93" (100)	3/4"
SSV-10220V	3.54" (90)	2.75" (70)	4.25" (108)	1"

Distributed by:



HYDRONIX™
WATER TECHNOLOGY
An American Company

JUST ADD WATER™

P.O. Box 2235 Chino Hills, CA 91709 | USA
sales@hydronixwater.com • www.HydronixWater.com

LIT-SSV-DS 07/23/20