



PRODUCT INFORMATION PACKET

marathon[®]
Motors

Model No: 5KH32DN5587X

Catalog No: 4725

Carbonator Pump Motor, 0.25 HP, 1 Ph, 60 Hz, 115 V, 1800 RPM, 48Y Frame, DP



Regal and Marathon are trademarks of Regal Rexnord Corporation or one of its affiliated companies.
©2022 Regal Rexnord Corporation, All Rights Reserved. MC017097E

RegalRexnord

1 of 4

Nameplate Specifications

Output HP	0.25 Hp	Output KW	0.19 kW
Frequency	60 Hz	Voltage	115 V
Current	5 A	Speed	1725 rpm
Service Factor	1	Phase	1
Efficiency	52.5 %	Power Factor	0
Duty	Continuous	Insulation Class	B
KVA Code	S	Frame	48Y
Enclosure	Drip Proof	Thermal Protection	Automatic
Ambient Temperature	40 °C	Drive End Bearing Size	6203
Opp Drive End Bearing Size	6203	UL	Recognized
CSA	Yes	CE	N
Number of Speeds	1		

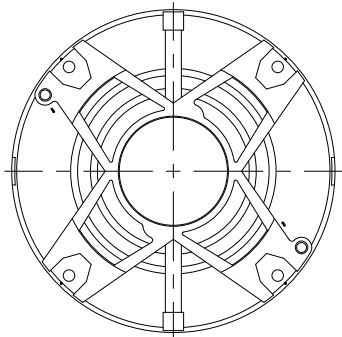
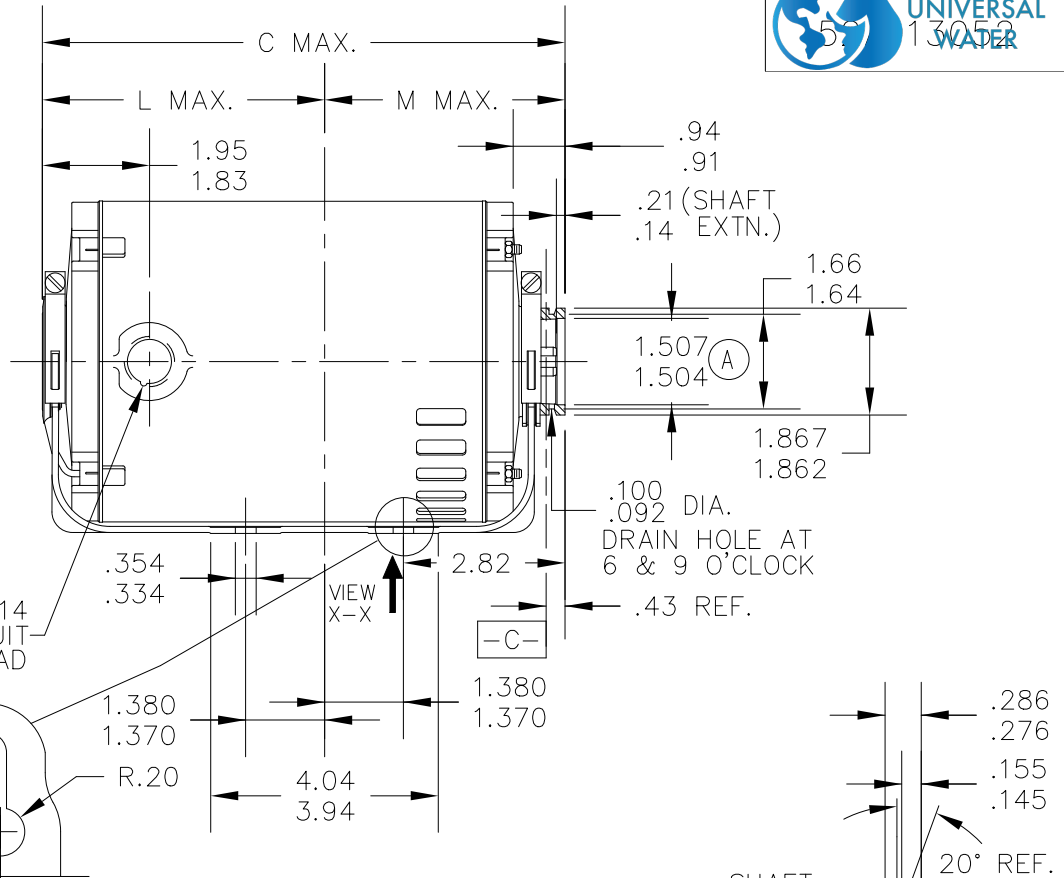
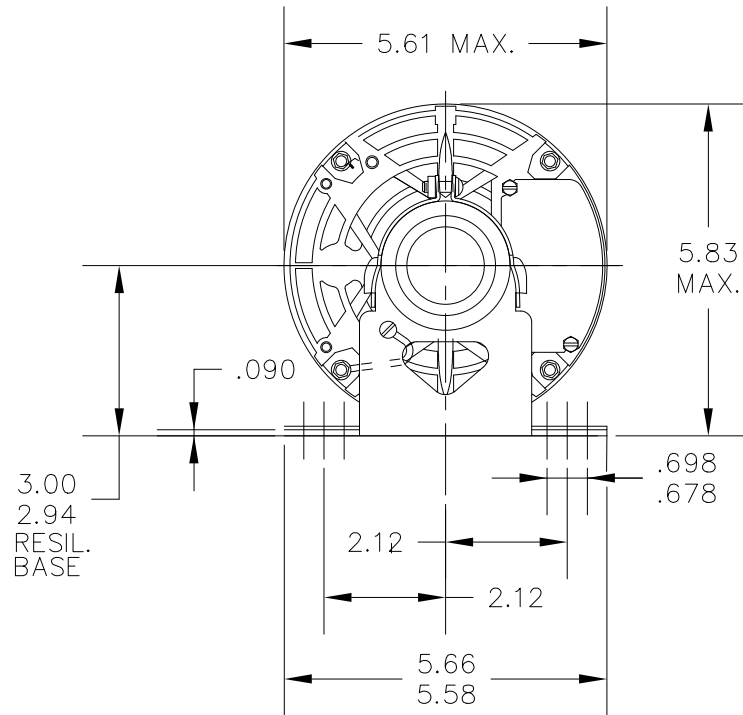
Technical Specifications

Electrical Type	Split Phase	Starting Method	SM
Poles	4	Rotation	Counterclockwise/Clockwise
Mounting	Resilient Base	Motor Orientation	ANY
Drive End Bearing	BALL	Opp Drive End Bearing	Ball
Frame Material	Rolled Steel	Overall Length	7.79 in
Frame Length	5.16 in	Shaft Diameter	0.500 in
Shaft Extension	0.17 in		
Connection Drawing	52A105379AA	Outline Drawing	52A113052P1

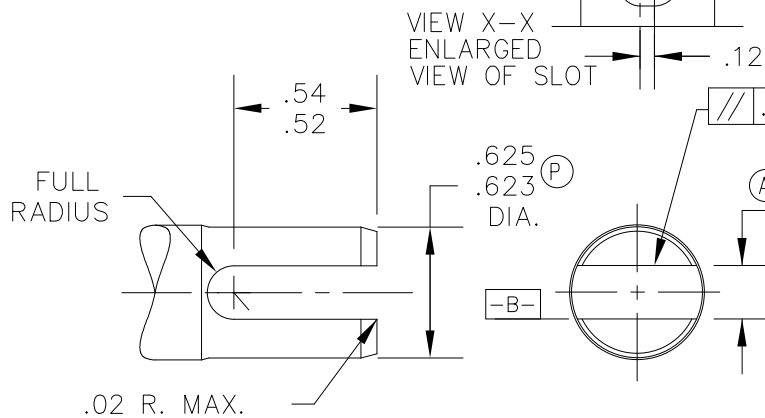
This is an uncontrolled document once printed or downloaded and is subject to change without notice. Date Created:12/26/2022

Uncontrolled Copy

- SURFACES & DIMENSIONS
- (P) PROC.
 - (E) ENG.
 - (A) APPL.
 - (R) REG.




VIEW SHOWING P.E. VENTILATION OPENINGS



VIEW X-X ENLARGED VIEW OF SLOT

1	KH	32	48Y	7.79	3.55	4.28
P	TYPE	RBC SIZE	NEMA FR	C	L	M

NO.	REVISION	BY & DATE	CHK	ANG	TOLERANCES UNLESS SPECIFIED	
					DEC.	INCHES
4	CHGD SHAFT DIA EXT WAS .490/.488 PER ECR-0222871	SN 12/20/2022	SN	.X	±0.1	
3	PART # 2 DELETED AS PER IS12-4648	UD 9/26/12	KK	.XX	±0.02	
2	CHG GD LD FROM 4:30 TO 7:30 PER IS11-0510.	UD 9/24/12	PKG	.XXX	±0.005	
1	ADDED CORE SET TO PART #2.	KK 13/03/12		.XXXX	±0.0005	
			RFP			
			DIST			

 REGAL-BELOIT CORPORATION			DRAWN GD 10/25/05 CHK APPD GD 10/25/05 SCALE 1=1 REF FMF PREV
TITLE CARBONATOR PUMP - OPEN - RESIL. BASE			
MAT'L.			
FINISH			

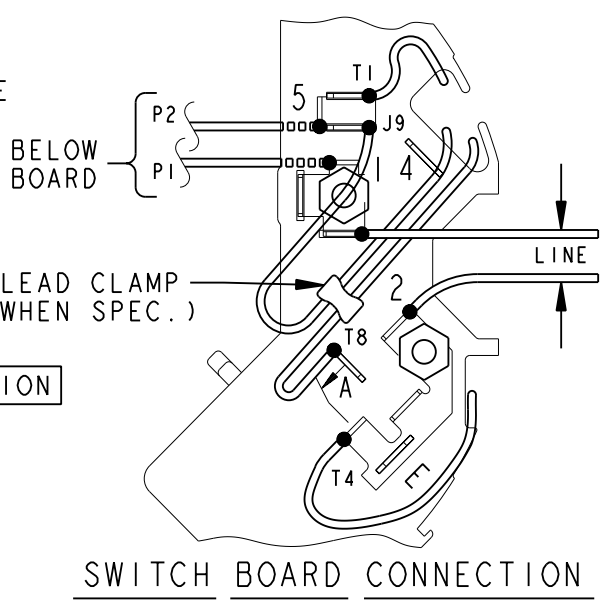
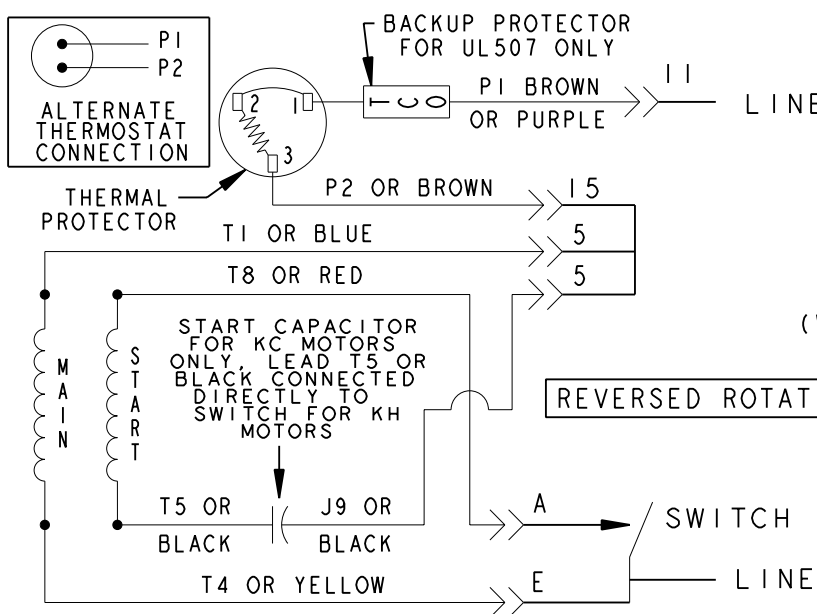
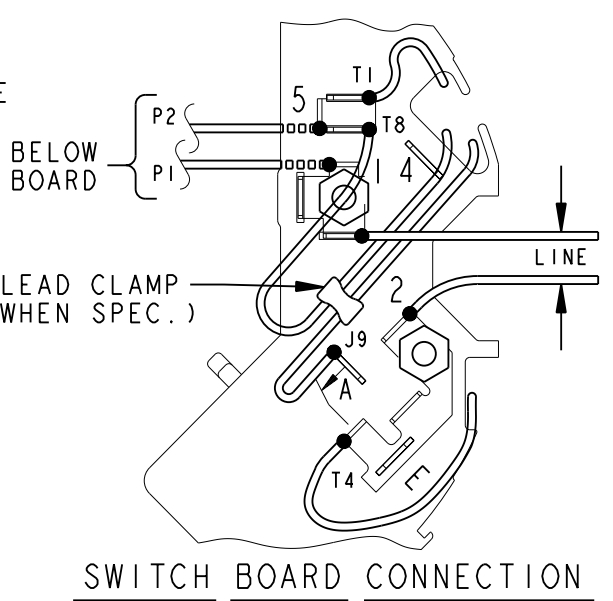
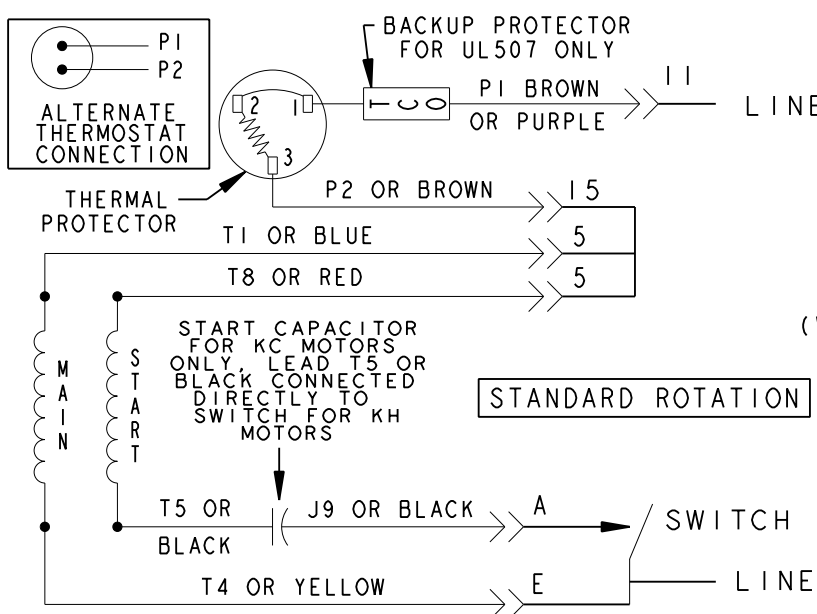
THIS DRAWING IN DESIGN AND DETAIL IS OUR PROPERTY AND MUST NOT BE USED EXCEPT IN CONNECTION WITH OUR WORK ALL RIGHTS OF DESIGN AND INVENTION ARE RESERVED THIS IS AN ELECTRONICALLY GENERATED DOCUMENT - DO NOT SCALE THIS PRINT

CAD FILE	52A113052	SIZE	DRAWING NO.	REV.
				4

SHEET 1
 REV 6
 52A105379AA
 SIZE DRAWING NO. A

THIRD ANGLE PROJECTION		REVISIONS			
		REV.	DESCRIPTION	DATE	APPROVED
		6	UPDATED FORMAT	12/01/05	MAM

EITHER ROTATION-SINGLE VOLTAGE-TYPE KC OR KH-WITH THERMAL PROTECTOR



NOTE #1 - TO REVERSE ROTATION INTERCHANGE RED (T8) AND BLACK (J9-KC OR T5-KH) LEADS.
 NOTE #2 - WHEN MORE THAN ONE CAPACITOR IS USED CONNECT IN PARALLEL.

SWITCH (C) - 115D958AB	REF. DIAG. - 121A851	CONN. LABEL - 52X332048
------------------------	----------------------	-------------------------

FOR ADDITIONAL INFO REFER TO: APPLIED PRACTICES DIMENSIONS ARE IN INCHES	SIGNATURES	DATE	 REGAL-BELOIT CORPORATION TITLE CONNECTION DIAGRAM FMF - 30 FR SWITCH REDESIGN SIZE DRAWING 52A105379AA	REV 6	
	MODEL	M.D. PAPE 06/29/87			
	DETAIL	.			
	CHECKED	.			
	ENGRG	.			
	MFG	.			
	QUALITY	.			
	ISSUED	M.D.P. 03/08/00			
MATERIAL	SOLID MODEL: 52A105379AA		SCALE: 1.000	REF. No: .	SHEET 1 of 1