



marathon[®]
Motors

PRODUCT INFORMATION PACKET

Model No: 5KH32GNB811X

Catalog No: 4805

Carbonator Pump Motor, 0.33 HP, 1 Ph, 60 Hz, 100-120/200-240 V, 1800 RPM, 48Y Frame, DP



Regal and Marathon are trademarks of Regal Rexnord Corporation or one of its affiliated companies.
©2022 Regal Rexnord Corporation, All Rights Reserved. MC017097E

RegalRexnord

Teléfono: (33) 3657-8500
Contacto@universalwater.com.mx

Product Information Packet: Model No: 5KH32GNB811X, Catalog No:4805. Carbonator Pump Motor, 0.33 HP, 1 Ph, 60 Hz, 100-120/200-240 V, 1800 RPM, 48Y Frame, DP

Nameplate Specifications

Output HP	0.33 Hp	Output KW	0.25 kW
Frequency	60 Hz	Voltage	100-120/200-240 V
Current	5.5-5.6,2.7-2.8 A	Speed	1725/1425 rpm
Service Factor	1	Phase	1
Efficiency	62 %	Power Factor	0
Duty	Continuous	Insulation Class	B
KVA Code	L	Frame	48Y
Enclosure	Drip Proof	Thermal Protection	Automatic
Ambient Temperature	40 °C	Drive End Bearing Size	6203
Opp Drive End Bearing Size	6203	UL	Recognized
CSA	Yes	CE	N
Number of Speeds	1		

Technical Specifications

Electrical Type	Split Phase	Starting Method	SM
Poles	4	Rotation	Counterclockwise/Clockwise
Mounting	Resilient Base	Motor Orientation	ANY
Drive End Bearing	BALL	Opp Drive End Bearing	Ball
Frame Material	Rolled Steel	Overall Length	7.69 in
Frame Length	5.16 in	Shaft Diameter	0.630 in
Shaft Extension	0.17 in		
Outline Drawing	52A111745P1	Connection Drawing	52A105383AA

This is an uncontrolled document once printed or downloaded and is subject to change without notice. Date Created:11/28/2022

SHEET 0

REV 52A111745 0

SIZE DRAWING NO. A

THIRD ANGLE PROJECTION

REVISIONS

REV.	DESCRIPTION	DATE	APPROVED

6	KH	38	48Y	9.75	5.60	4.28
5	KH	37	48Y	9.15	5.01	4.28
4	KH	36	48Y	8.75	4.61	4.28
3	KH	35	48Y	8.32	4.18	4.28
2	KH	33	48Y	7.94	3.80	4.28
1	KH	32	48Y	7.69	3.55	4.28
P	TYPE	GE SIZE	NEMA FR	C	L	M

SIGNATURES		DATE
MODEL	DURGA	06/09/06
DETAIL	.	.
CHECKED	.	.
ENGRG	.	.
MFG	.	.
QUALITY	.	.
ISSUED	DURGA	06/09/06

REGAL-BELOIT CORPORATION

TITLE **OUTLINE**

CARBONATOR PUMP - DRIP PROOF -

RESIL. BASE - BALL BRG. FMF: 5KH32GNB811X

SIZE DRAWING A

52A111745

REV 0

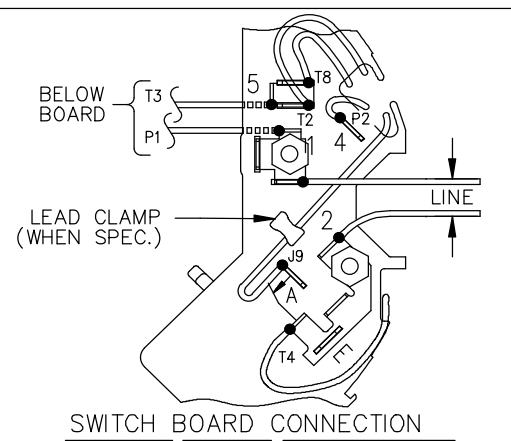
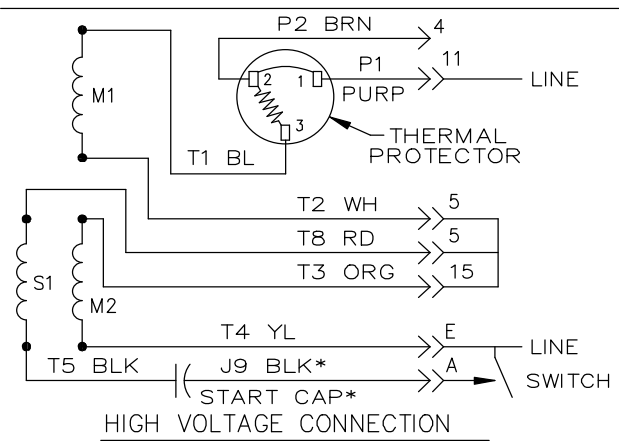
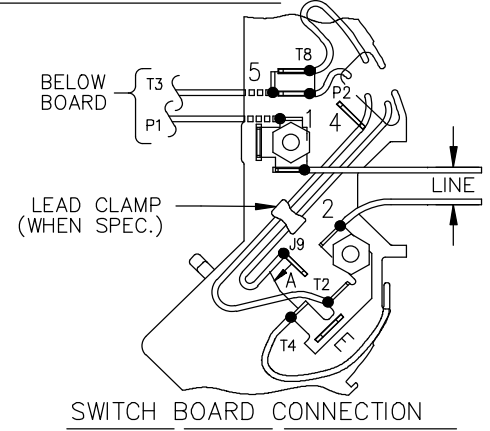
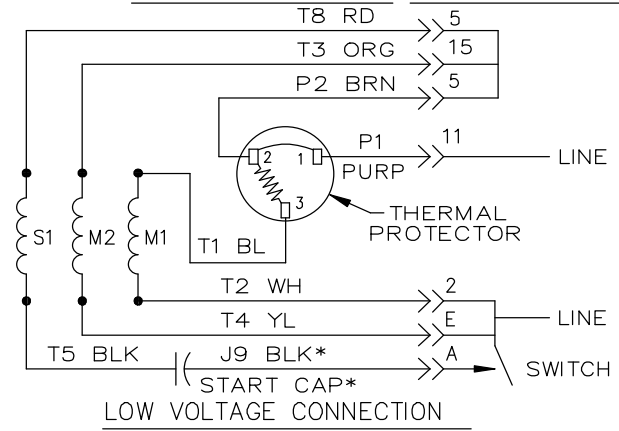
SCALE: 1.000

REF. No: .

SHEET 1 of 1

52A105383AA

EITHER ROTATION, DUAL VOLTAGE, TYPE KC OR KH, WITH THERMAL PROTECTION



NOTE #1 - START CAP & J9 WHEN SPECIFIED (*). IF NO CAPACITOR (KH), CONNECT T5 DIRECTLY TO SWITCH (A). WHEN MORE THAN ONE CAPACITOR IS USED, CONNECT IN PARALLEL.

NOTE #2 - TO REVERSE ROTATION, INTER CHANGE RD(T8) AND BLK(J9-KC OR T5-KH) LEADS.

SWITCH REF. - 115D958AB	CONNECTION LABEL	CCW ROTATION: NP52X332051AA
		CW ROTATION: NP52X332051AC

NO.	REVISION	BY & DATE	CHK	TOLERANCES UNLESS SPECIFIED		TITLE	DRAWN M.D.P 06/29/87		
				DEC.	INCHES			DRAWING NO.	
				.X	±0.1	REGAL-BELOIT CORPORATION CONNECTION DIAGRAM 30 FRAME SWITCH REDESIGN	CHK		
				.XX	±0.02		APPD M.D.P 03/26/96		
5	ADDED CONNECTION LABEL PER ECO-0030779	UD 02/06/13	PKG	.XXX	±0.005		SCALE 1=1		
4	UPDATED PER IS07-0150	MD 01/23/07		.XXXX	±0.0005		REF		
				ANG	±1.0		FMF		
							PREV		
THIS DRAWING IN DESIGN AND DETAIL IS OUR PROPERTY AND MUST NOT BE USED EXCEPT IN CONNECTION WITH OUR WORK ALL RIGHTS OF DESIGN AND INVENTION ARE RESERVED THIS IS AN ELECTRONICALLY GENERATED DOCUMENT - DO NOT SCALE THIS PRINT				RFP	CAD FILE	52A105383AA	SIZE A	DRAWING NO. 52A105383AA	REV. 5
				DIST					