



**marathon**<sup>®</sup>  
Motors

## PRODUCT INFORMATION PACKET

Model No: 5KH36MNA445X

Catalog No: H684

Carbonator Pump Motor, 0.50 HP, 1 Ph, 60 Hz, 100-120/200-240 V, 1800 RPM, 48Y Frame, DP



Regal and Marathon are trademarks of Regal Rexnord Corporation or one of its affiliated companies.  
©2022 Regal Rexnord Corporation, All Rights Reserved. MC017097E

**RegalRexnord**

Teléfono: (33) 3657-8500  
Contacto@universalwater.com.mx

Product Information Packet: Model No: 5KH36MNA445X, Catalog No:H684 Carbonator Pump Motor, 0.50 HP, 1 Ph, 60 Hz, 100-120/200-240 V, 1800 RPM, 48Y Frame, DP


**marathon®**  
Motors

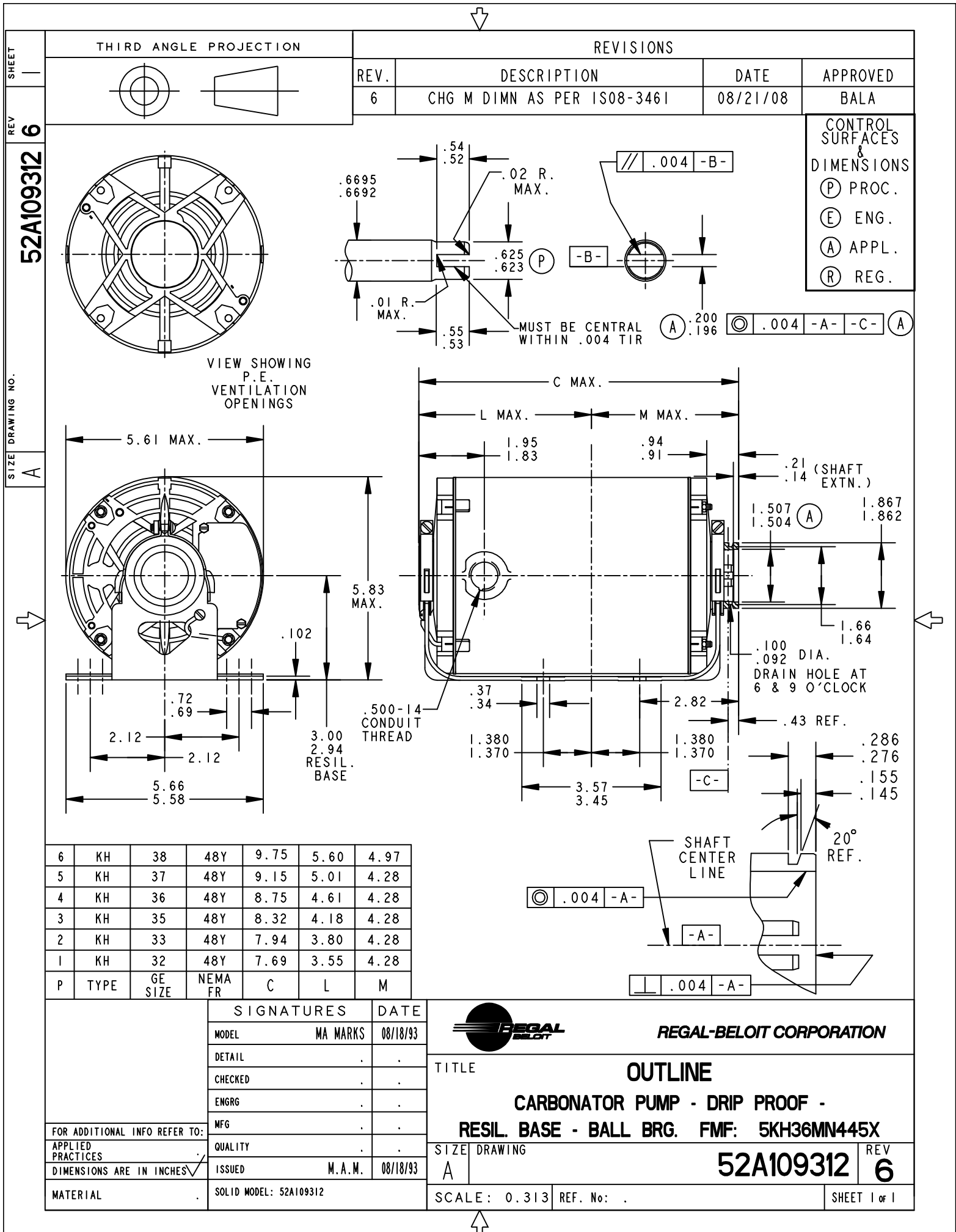
### Nameplate Specifications

Output HP	<b>0.50 Hp</b>	Output KW	<b>0.37 kW</b>
Frequency	<b>60 Hz</b>	Voltage	<b>100-120/200-240 V</b>
Current	<b>7.1-7.2,3.4-3.6 A</b>	Speed	<b>1725/1425 rpm</b>
Service Factor	<b>1</b>	Phase	<b>1</b>
Efficiency	<b>63.3 %</b>	Power Factor	<b>0</b>
Duty	<b>Continuous</b>	Insulation Class	<b>B</b>
KVA Code	<b>N</b>	Frame	<b>48Y</b>
Enclosure	<b>Drip Proof</b>	Thermal Protection	<b>Automatic</b>
Ambient Temperature	<b>40 °C</b>	Drive End Bearing Size	<b>6203</b>
Opp Drive End Bearing Size	<b>6203</b>	UL	<b>Recognized</b>
CSA	<b>Yes</b>	CE	<b>N</b>
Number of Speeds	<b>1</b>		

### Technical Specifications

Electrical Type	<b>Split Phase</b>	Starting Method	<b>SM</b>
Poles	<b>4</b>	Rotation	<b>Counterclockwise/Clockwise</b>
Mounting	<b>Resilient Base</b>	Motor Orientation	<b>ANY</b>
Drive End Bearing	<b>BALL</b>	Opp Drive End Bearing	<b>Ball</b>
Frame Material	<b>Rolled Steel</b>	Overall Length	<b>8.75 in</b>
Frame Length	<b>6.22 in</b>	Shaft Diameter	<b>0.630 in</b>
Shaft Extension	<b>0.17 in</b>		
Outline Drawing	<b>52A109312P4</b>	Connection Drawing	<b>52A105383AA</b>

This is an uncontrolled document once printed or downloaded and is subject to change without notice. Date Created:11/28/2022



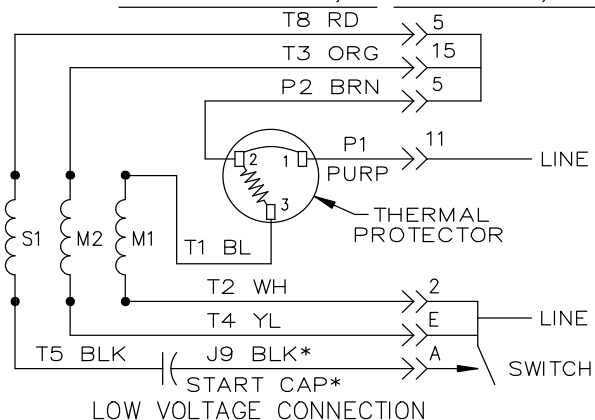
6	KH	38	48Y	9.75	5.60	4.97
5	KH	37	48Y	9.15	5.01	4.28
4	KH	36	48Y	8.75	4.61	4.28
3	KH	35	48Y	8.32	4.18	4.28
2	KH	33	48Y	7.94	3.80	4.28
1	KH	32	48Y	7.69	3.55	4.28
P	TYPE	GE SIZE	NEMA FR	C	L	M

SIGNATURES		DATE
MODEL	MA MARKS	08/18/93
DETAIL	.	.
CHECKED	.	.
ENGRG	.	.
MFG	.	.
QUALITY	.	.
ISSUED	M.A.M.	08/18/93
SOLID MODEL: 52A109312		

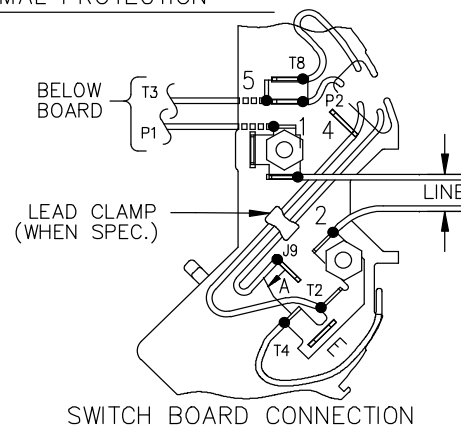
<b>REGAL-BELOIT CORPORATION</b>	
<b>TITLE</b> <b>OUTLINE</b> <b>CARBONATOR PUMP - DRIP PROOF - RESIL. BASE - BALL BRG. FMF: 5KH36MN445X</b>	
<b>SIZE DRAWING</b> <b>A</b>	<b>REV</b> <b>6</b>
<b>SCALE: 0.313</b>	<b>REF. No: .</b>
<b>SHEET 1 of 1</b>	

**52A105383AA**

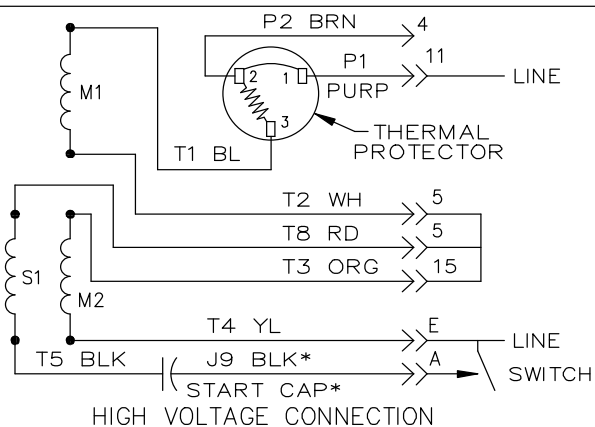
EITHER ROTATION, DUAL VOLTAGE, TYPE KC OR KH, WITH THERMAL PROTECTION



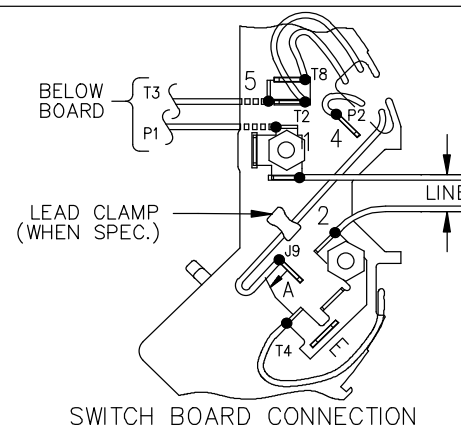
LOW VOLTAGE CONNECTION



SWITCH BOARD CONNECTION



HIGH VOLTAGE CONNECTION



SWITCH BOARD CONNECTION

NOTE #1 - START CAP & J9 WHEN SPECIFIED (*). IF NO CAPACITOR (KH), CONNECT T5 DIRECTLY TO SWITCH (A). WHEN MORE THAN ONE CAPACITOR IS USED, CONNECT IN PARALLEL.	
NOTE #2 - TO REVERSE ROTATION, INTER CHANGE RD(T8) AND BLK(J9-KC OR T5-KH) LEADS.	
SWITCH REF. - 115D958AB	CONNECTION LABEL
	CCW ROTATION: NP52X332051AA
	CW ROTATION: NP52X332051AC

NO.	REVISION	BY & DATE	CHK	ANG	TOLERANCES UNLESS SPECIFIED		TITLE	DRAWN M.D.P 06/29/87	
					DEC.	INCHES			
					.X	±0.1	REGAL-BELOIT CORPORATION REGAL-BELOIT CORPORATION CONNECTION DIAGRAM 30 FRAME SWITCH REDESIGN	CHK	
					.XX	±0.02		APPD M.D.P 03/26/96	
5	ADDED CONNECTION LABEL PER ECO-0030779	UD 02/06/13	PKG	.XXX	±0.005			SCALE 1=1	
4	UPDATED PER ISO7-0150	MD 01/23/07		.XXXX	±0.0005			REF	
								FMF	
								PREV	
THIS DRAWING IN DESIGN AND DETAIL IS OUR PROPERTY AND MUST NOT BE USED EXCEPT IN CONNECTION WITH OUR WORK ALL RIGHTS OF DESIGN AND INVENTION ARE RESERVED THIS IS AN ELECTRONICALLY GENERATED DOCUMENT - DO NOT SCALE THIS PRINT				RFP	CAD FILE	52A105383AA	SIZE	DRAWING NO.	REV.
				DIST			A	52A105383AA	5