

## NV Series

### Needle Valves

- ✓ 6,000 PSI pressure rating (at 200 °F max)
- ✓ All 316 SS Stem for longer life
- ✓ Soft seat design for bubble tight seal
- ✓ Polished finish
- ✓ Available in 1/2", 3/4" and 1"



#### HYDRONIX NV SERIES NEEDLE VALVES

are rated at 6,000 PSI (414 bar) and provide a soft seat design for a 100% bubble-tight shut-off. NV Series Needle Valves are manufactured from 316 stainless steel as standard (including the stem) for longer life.

#### HYDRONIX NV SERIES NEEDLE VALVES

are made for a performance and features a guaranteed positive shut off for long life and optimal performance. NV Series Needle Valves are polish finished and have a straight through port for by-directional, high capacity flow and easy rod cleaning.

NV SERIES SPECIFICATIONS					
	Part Number	Description	Case Quantity	Weight (lbs)	Weight (kgs)
Panel Mount	NV-12SS316	Needle Valve 1/2" FNPT 316 Stainless Steel Panel Mount	20	17	7.71
	NV-34SS316	Needle Valve 3/4" FNPT 316 Stainless Steel Panel Mount	20	17	7.71
	NV-10SS316	Needle Valve 1" FNPT 316 Stainless Steel Panel Mount	20	55	24.95

# NV SERIES

Needle Valves  
Data Sheet

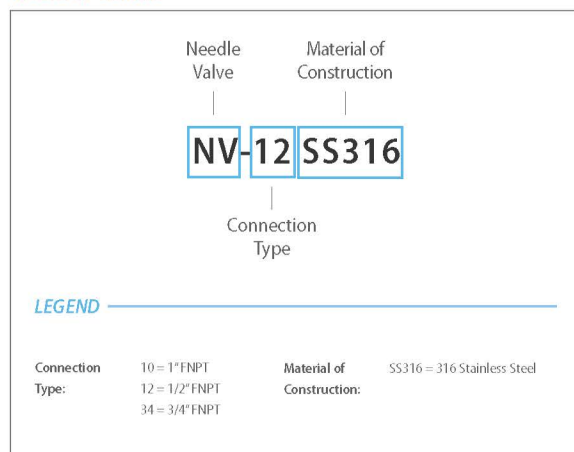
## Features

- Soft seat design for bubble tight seal
- 6,000 PSI pressure rating (at 200 °F max)
- Replaceable Delrin seat
- Straight through porting for bi-directional
- High capacity flow and easy rod cleaning
- All 316 SS Stem for longer life
- One piece bonnet with metal to metal seal to the valve body below the bonnet threads
- Polished finish

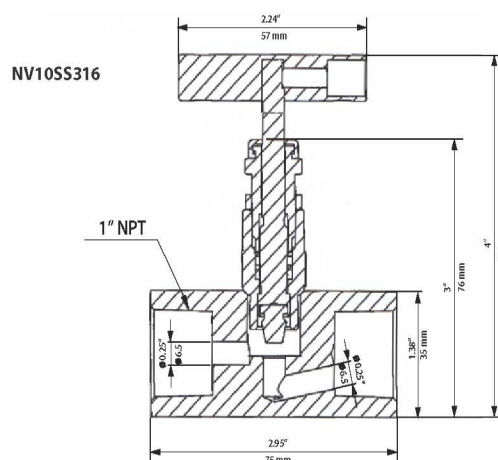
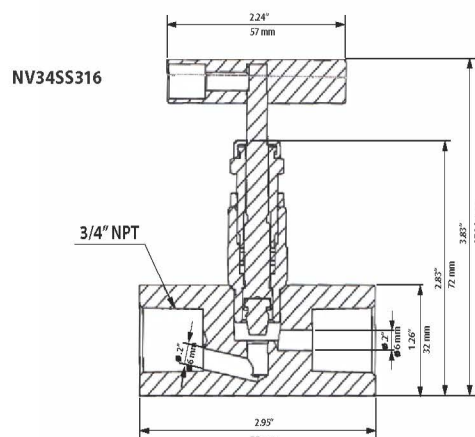
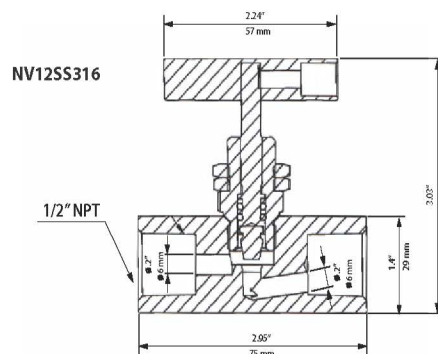
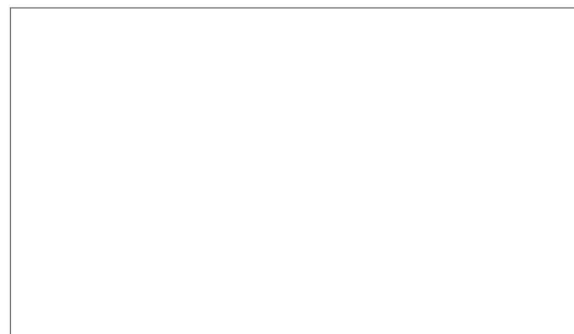
## Materials of Construction

Valve Body:	316 Stainless Steel
Bonnet:	316 Stainless Steel
Valve Stem:	316 Stainless Steel
Stem Seals:	Viton O-Ring
Handle:	AUL T6061
Handle Set Screw:	18-8 Stainless Steel
Panel Mount Lock:	18-8 Stainless Steel

## Model # Guide



## Distributed by:



**HYDRONIX**<sup>®</sup>  
WATER TECHNOLOGY  
An American Company

**JUST ADD WATER™**

P.O. Box 2235 Chino Hills, CA 91709 | USA  
sales@hydronixwater.com • www.HydronixWater.com

LIT-NV-DS 09/14/18